

ATTENTION: READ ALL INSTRUCTIONS ENTIRELY BEFORE INSTALLATION

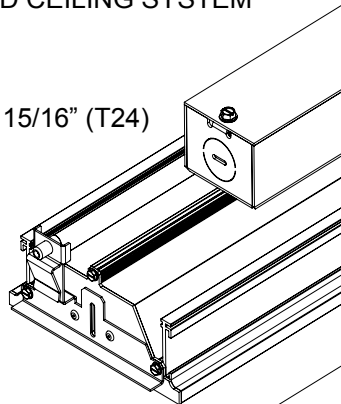
THE ONLY LIGHTING PRODUCTS THAT ARE ENGINEERED AND PATENTED TO REPLACE THE CROSS MEMBERS IN A SUSPENDED GRID CEILING SYSTEM

FOR MODELS:

- DIFFUSED WHITE
- VISTA COMFORT

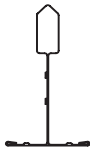
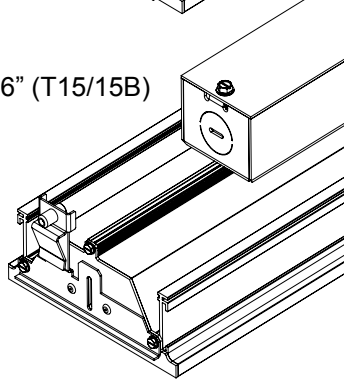
GEM4-XX-XX-X-24-XX-U-X-UNV
SPECIFICALLY DESIGNED FOR
USE WITH 15/16" (T24) GRID

15/16" (T24)



GEM4-XX-XX-X-15/15B-XX-U-X-UNV
SPECIFICALLY DESIGNED FOR
USE WITH 9/16" (T15/15B) GRID

9/16" (T15/15B)



15/16"
Flat Grid



9/16"
Flat Grid



9/16"
Bullnose Grid

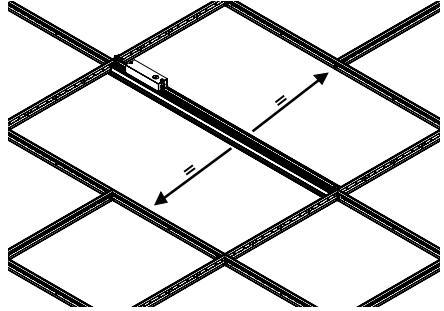
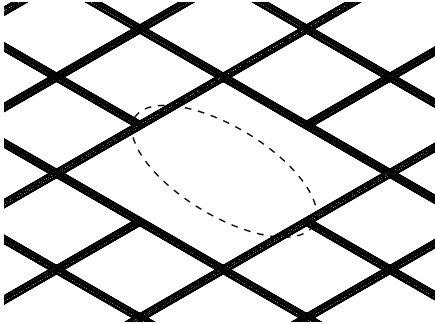


9/16"
Bolt Slot

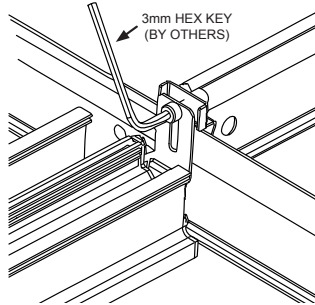
CODE: T-BAR544-GEMINI 4" Universal Instruction Sheet 9/16" & 15/16" Rev.04

WHERE I CAN INSTALL THE GEMINI 4"

- IN A NEW OR EXISTING 15/16" (T24) OR 9/16" (T15/15B) CEILING GRID INSTALLATION, VERIFY THE CEILING GRID IS IN A 2' x 2', 2' x 4', 4' x 4', OR OTHER COMPATIBLE GRID CEILING LAYOUT, LEAVING SPECIFIC OPENINGS FOR THE INSTALLATION OF THE GEMINI ACCORDING TO THE LIGHT REQUIREMENT.
- INSTALL THE APPROPRIATE LENGTH GEMINI AT THE CENTER OF THE SPACE, CREATING TWO EQUAL SECTIONS ON EITHER SIDE OF THE FIXTURE.

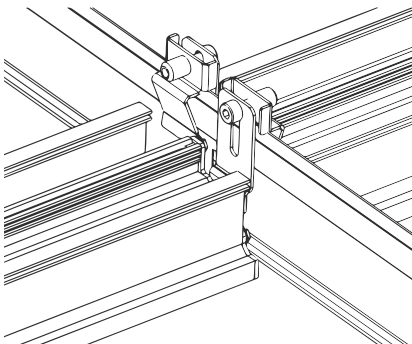


- PLACE THE PRODUCT OVER THE GRID FOLLOWING THE BELOW CONFIGURATION
- MAKE SURE THAT THE END CAP FLANGE OF THEN GEMINI SITS FLAT ON THE CORRESPONDING GRID AS SHOWN IN DETAIL "A"

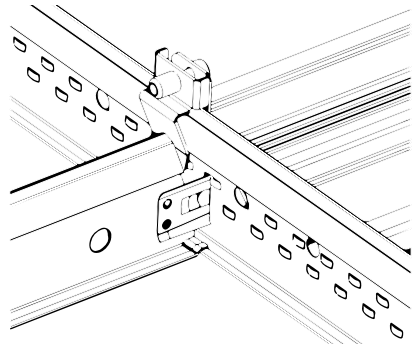


ONCE PRODUCT IS POSITIONED, TIGHTEN THE SCREW ON EACH END.

- GEMINI IS DESIGNED TO CONNECT END-TO-END WITH EITHER ANOTHER GEMINI FIXTURE (DETAIL "B") OR WITH A STANDARD CROSS TEE (DETAIL "C")

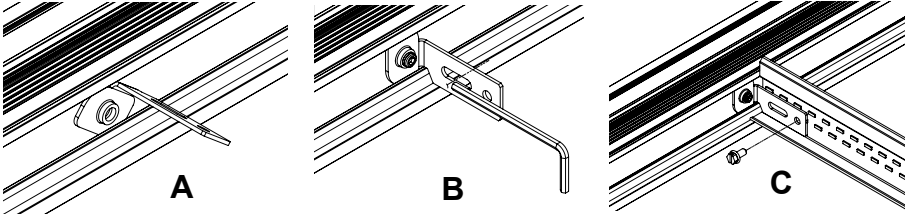


DETAIL B



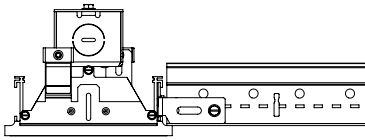
DETAIL C

TWIST CLIP INSTALLATION. TWIST THE CLIP INTO THE ACCESSORY CHANNEL ON THE FIXTURE, IN THE APPROXIMATE LOCATION OF EACH INTERSECTING GRID MEMBER. [DETAIL "A"] USE PROVIDED SET SCREWS TO SECURE THE TWIST CLIP TO THE FIXTURE USING A 3MM HEX KEY (BY OTHERS). [DETAIL "B"]



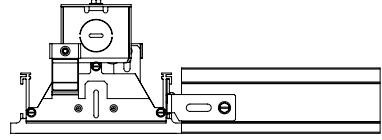
GRID ATTACHMENT. USE AN APPROPRIATE SELF-TAPPING SCREW (BY OTHERS) TO SCREW THE TWIST CLIP TO THE GRID. [DETAIL "C"]

THE TWIST CLIP IS DESIGNED TO SUPPORT FLAT GRID RAISED 1/4" [DETAIL A] OR BOLT SLOT AND BULL NOSE GRID FLUSH WITH THE BOTTOM OF THE FIXTURE. [DETAIL B]



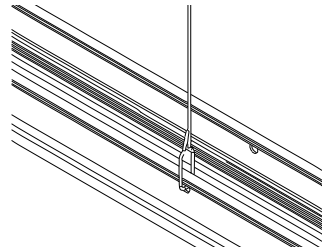
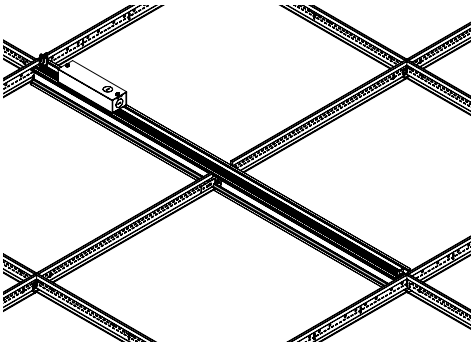
9/16" OR 15/16" FLAT GRID

DETAIL A



9/16" DIMENSIONAL GRID (BOLT SLOT OR BULL NOSE)

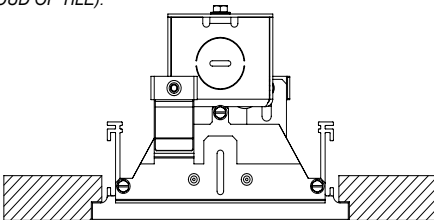
DETAIL B



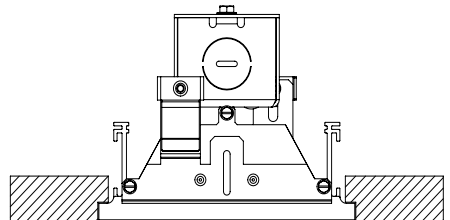
NOTE: GEMINI™ MUST BE ANCHORED TO THE ABOVE BUILDING STRUCTURE WITH STEEL CABLE USING THE PROVIDED HOLES (BY OTHERS).

- AFTER THE GEMINI HAS BEEN WIRED (SEE FOLLOWING PAGE FOR INSTRUCTION), YOU CAN INSTALL THE APPROPRIATE SIZED CEILING TILES IN THEIR CORRECT POSITION OVER THE GEMINI PRODUCT. GEMINI IS DESIGNED TO HIDE FIELD CUT TILE EDGES

NOTE: GEMINI IS DESIGNED TO WORK WITH TEGULAR TILES (LIGHT SITS FLUSH WITH TILE) & LAY-IN TILES (LIGHT SITS PROUD OF TILE).



15/16" (T24)



9/16" (T15/15B)

ATTENTION: READ ALL INSTRUCTIONS ENTIRELY BEFORE INSTALLATION

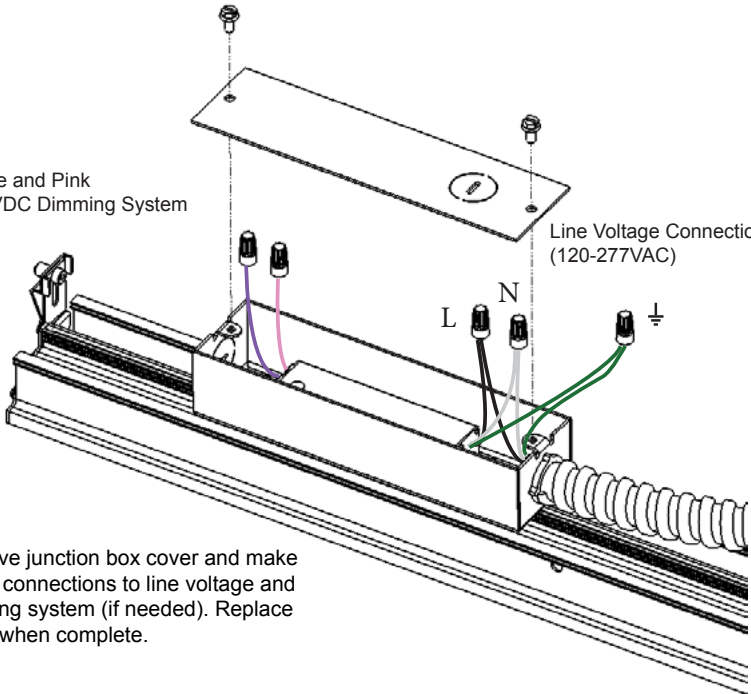
HOW TO ELECTRIFY THE GEMINI 4''

ATTENTION: READ ALL INSTRUCTIONS ENTIRELY BEFORE INSTALLATION

ATTENTION: READ ALL INSTRUCTIONS ENTIRELY BEFORE INSTALLATION

Purple and Pink
0-10VDC Dimming System

Line Voltage Connections
(120-277VAC)



Remove junction box cover and make wiring connections to line voltage and dimming system (if needed). Replace cover when complete.

CAUTION:

- * This fixture must be installed and wired by a licensed electrician
- * JLC-Tech LLC will not be held responsible if the fixtures are not installed according to applicable codes and safety standards
- * Installation is subject to local code and jurisdiction
- * Keep these instructions for the person responsible for the maintenance of this installation

Electrical Ratings

Input Voltage: 120-277V, 50/60Hz

Refer to product label for model specific wattage ratings

ETL Listed for Indoor Use



RoHS

MADE IN USA



For patent information see www.jlc-tech.com/patents