

ATTENTION: READ ALL INSTRUCTIONS ENTIRELY BEFORE INSTALLATION

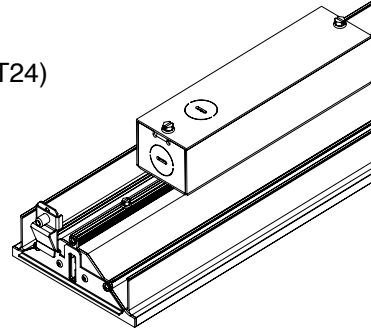
THE ONLY LIGHTING PRODUCTS THAT ARE ENGINEERED AND PATENTED TO REPLACE THE CROSS MEMBERS IN A SUSPENDED GRID CEILING SYSTEM

FOR MODELS:

- DIFFUSED WHITE
- VISTA COMFORT

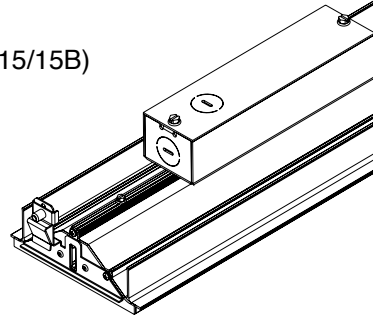
15/16" (T24)

GEMD-XX-XX-X-24-XX-U-X-UNV
SPECIFICALLY DESIGNED FOR USE
WITH UNIVERSAL 15/16" (T24) GRID

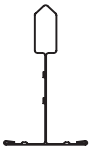


9/16" (T15/15B)

GEMD-XX-XX-X-15/15B-XX-U-X-UNV
SPECIFICALLY DESIGNED FOR USE
WITH UNIVERSAL 9/16" (T15/15B) GRID



CODE: T-BAR648 GEMINI 4" Double Lens Instruction Sheet 9/16 & 15/16" Universal Rev.03



15/16"
Flat Grid



9/16"
Flat Grid



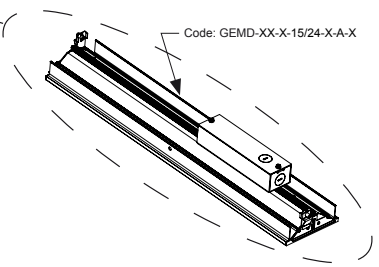
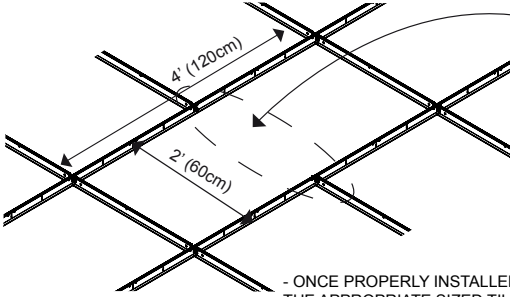
9/16"
Bullnose Grid



9/16"
Bolt Slot

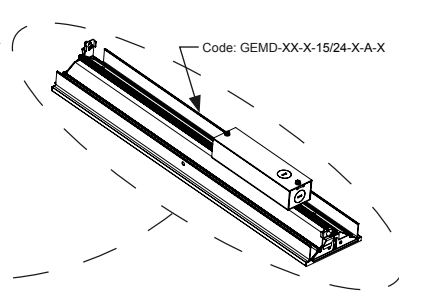
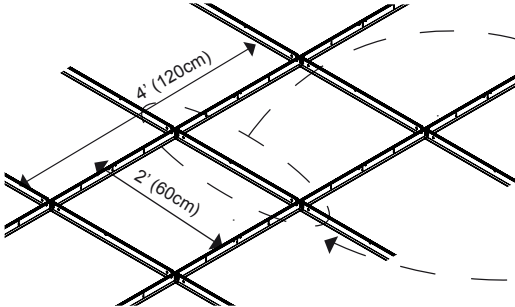
WHERE I CAN INSTALL THE GEMINI 4" DOUBLE LENS

- IN A **NEW** 15/16" (T24) OR 9/16" (T15/15B) CEILING GRID INSTALLATION, ORGANIZE THE PLOT TO HAVE 2'x4' (60X120cm) OR 4'x4' (120X120cm) SPACES WHERE THE 2' (60cm) OR 4' (120cm) GEMINI WILL BE INSTALLED (ACCORDING TO THE LIGHT REQUIREMENT).
- INSTALL THE GEMINI AT THE CENTER OF THE SPACE, CREATING TWO EQUAL SECTIONS EACH.



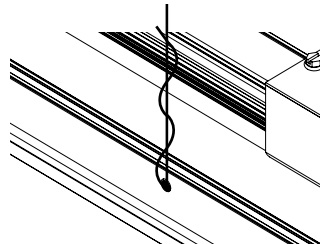
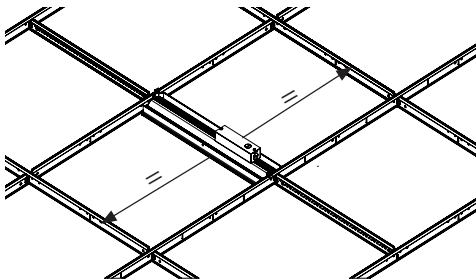
- ONCE PROPERLY INSTALLED, YOU WILL BE ABLE TO COMPLETE THE CEILING WITH THE APPROPRIATE SIZED TILES.

- IN AN **EXISTING** 15/16" (T24) OR 9/16" (T15/15B) SUSPENDED CEILING GRID, LOCATE THE 2' (60cm) or 4' (120cm) CROSS TEES THAT ARE INTENDED TO BE SUBSTITUTED WITH THE 2' (60cm) or 4' (120cm) GEMINI (ACCORDING TO THE LIGHT REQUIREMENT)
- REMOVE THE CEILING TILES WITHIN THE SPACE YOU SELECTED
- REMOVE THE 2' (60cm) or 4' (120cm) CROSS TEES AND REPLACE IT WITH THE 2' (60cm) or 4' (120cm) GEMINI
- ONCE PROPERLY INSTALLED, PLACE THE APPROPRIATE SIZED CEILING TILES IN THE OPENINGS.



NOTE: MAKE SURE THE GEMINI IS POSITIONED TO ALLOW THE CORRECT PLACING OF THE SURROUNDING GRID AND TILES.

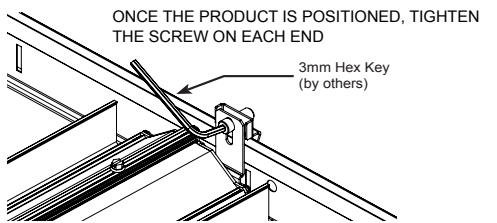
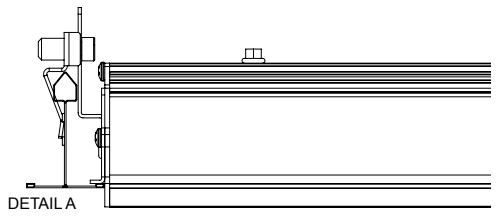
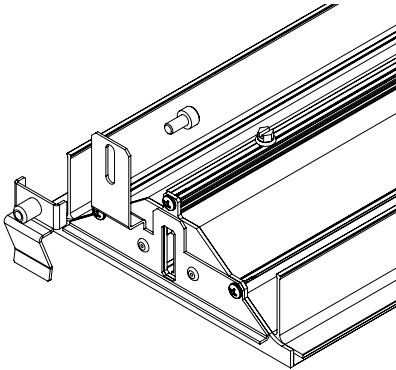
- GEMINI MUST BE ANCHORED TO THE ABOVE BUILDING STRUCTURE WITH A STEEL CABLE USING THE PROVIDED HOLES (STEEL CABLE BY OTHERS)



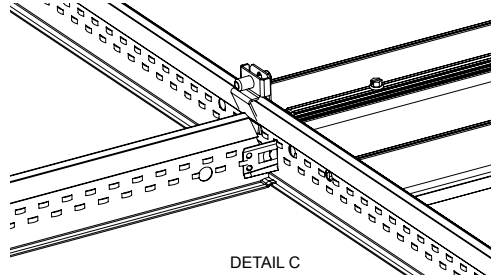
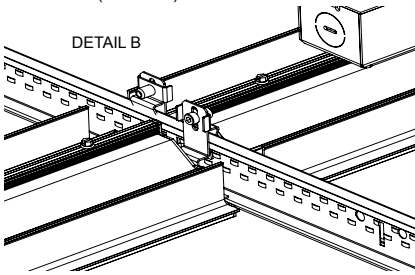
HOW I INSTALL THE GEMINI 4" DOUBLE LENS

- PLACE THE PRODUCT OVER THE GRID FOLLOWING THE BELOW CONFIGURATION.

- MAKE SURE THAT THE END CAP FLANGE OF THE GEMINI SITS FLAT ON THE CORRESPONDING GRID AS SHOW IN DETAIL "A"

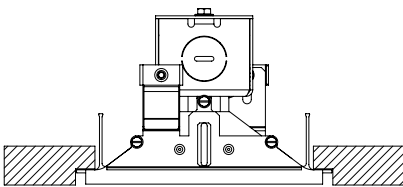


- GEMINI IS DESIGNED TO CONNECT END TO END WITH EITHER ANOTHER GEMINI (DETAIL B) OR WITH A STANDARD CROSS TEE (DETAIL C).

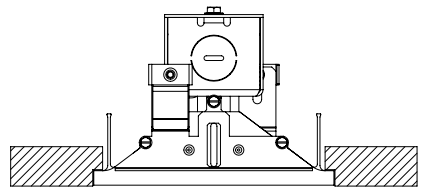


- AFTER THE GEMINI HAS BEEN WIRED (SEE FOLLOWING PAGE FOR INSTRUCTION), YOU CAN INSTALL THE APPROPRIATE SIZED CEILING TILES IN THEIR CORRECT POSITION OVER THE GEMINI PRODUCT.

NOTE: GEMINI IS DESIGNED TO WORK WITH TEGULAR TILES (LIGHT SITS FLUSH WITH TILE) AND LAY-IN TILES (LIGHT SITS PROUD OF TILE).



15/16" (T24)

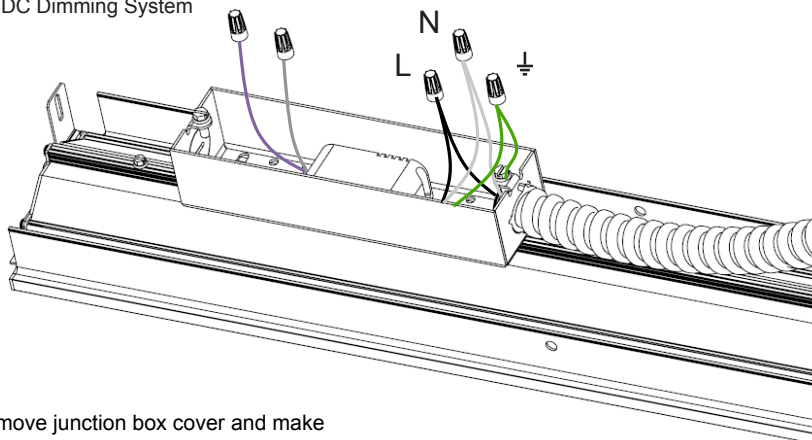


9/16" (T15/15B)

HOW TO ELECTRIFY THE GEMINI 4"

Purple and Pink to
0-10VDC Dimming System

Line Voltage Connections
(120-277VAC)



Remove junction box cover and make wiring connections to line voltage and dimming system (if needed). Replace cover when complete.

ATTENTION: READ ALL INSTRUCTIONS ENTIRELY BEFORE INSTALLATION

ATTENTION: READ ALL INSTRUCTIONS ENTIRELY BEFORE INSTALLATION

CAUTION:

- * This fixture must be installed and wired by a licensed electrician
- * JLC-Tech LLC will not be held responsible if the fixtures are not installed according to applicable codes and safety standards
- * Installation is subject to local code and jurisdiction
- * Keep these instructions for the person responsible for the maintenance of this installation

Electrical Ratings

Input Voltage: 120-277V, 50/60Hz

Refer to product label for model specific wattage ratings

ETL Listed for Indoor Use



RoHS



MADE IN USA

For patent information see www.jlc-tech.com/patents