

GEMINI 4" Double Lens | Order Specification Guide



Product Name	LED/K Color	Light Output	Grid Size	Grid Type	Optic	Mounting Clips	Color	Driver	Options
GEMD = GEMINI 4" Double Lens	HW = 3000K	LO = Low	2 = 2 ft	24 = 15/16"	DW = Diffused White	U = Universal	W = White	UNV = 120-277 VAC 0-10V dimming	CP = Chicago Plenum
	MW = 3500K	MO = Medium	4 = 4 ft	15 = 9/16"	VC = Vista Comfort®	A = Armstrong	B = Black	DAL = 120-277 VAC DALI 2 dimming	IP = IP65
MN = 4000K	HO = High	5 = 5 ft	15B = 9/16" Bolt Slot	W = Specialty Wood		C = Custom	DC = Acuity DC2DC 57V <sup>1</sup>	LA = Lutron Athena Wireless Node	
CN = 5000K		Metric				347 = 347 VAC 0-10V dimming <sup>2</sup>	NW = nLight® Wired		
TU = 2700K-6500K		M6 = 60 cm				POE = Power over Ethernet <sup>1</sup>	NA = nLight® Air <sup>1</sup>		
	90 CRI available, on request.	M12 = 120 cm					Optional EM Battery Kit available (sold separately).		
	Custom lumen outputs available, consult factory.								

www.jlc-tech.com/patents

<sup>1</sup>Consult factory <sup>2</sup>Not available with tunable white

Double Lens Diffused White (DW)



Double Lens Vista Comfort (VC)



**NOTES:**

GEMINI 4" is designed to provide a 4" linear slot light on-center to the grid with integrated cross tees, by replacing standard cross members in a suspended ceiling; without the need to build a custom opening in the grid ceiling.

**APPLICATIONS:**

Executive, Medical, Health, Educational, Retail, Hotels, Airport, Hospitality and any open space areas that require a unique and elegant architectural lighting design.

**MOUNTING:**

Universal mounting clips for easy installation with Armstrong 15/16" or 9/16" suspension systems or standard 15/16" or 9/16" T-bars of most manufacturers ceiling suspension systems. Compatible with tegular and lay-in tiles. Mounting Clips "W" for grille and plank specialty wood ceilings, consult factory for wood ceiling specific shop drawings details.

**MATERIALS & OPTICS:**

Powder coated aluminum extruded body, steel mounting clips, and powder coated steel end caps. "DW" optic uses high efficiency frosted acrylic PMMA lens for even illumination, "VC" optic uses precision engineered PMMA prismatic lens with internal PET film layer providing diffuse glare free illumination to help design to UGR requirements.

**ELECTRIC:**

Universal input voltage of 120-277VAC. Junction box installed on fixture with integral driver for connection to branch circuit and dimming system, (dimming to 1%). Fixture must be installed in accordance with local electrical codes.

[For EM Battery Kit order separately.](#)

For more information on integrated controls options, [refer to controls guide on website.](#)

**WARRANTY:**

5 years

**LISTINGS:**

ETL/cETLus CE RoHS. Indoor use only. IC Rated. IP 40.

IP65 rated option

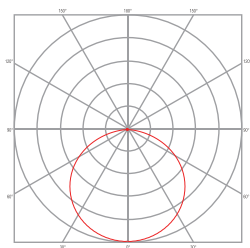
IP ratings are intended below finished ceiling



Photometrics CRI = >82

$L_{80} > 60K$  hrs

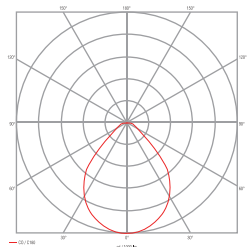
Diffused White Double Lens



9/16" Diffused White Double Lens 4000K

Light Output	Output (lm/ft)	Power (watts/ft)	Efficacy (lm/W)
LO = Low	487	4.6	105.9
MO = Medium	731	7.2	101.5
HO = High	975	9.4	103.7

Vista Comfort Double Lens



9/16" Vista Comfort® Double Lens 4000K

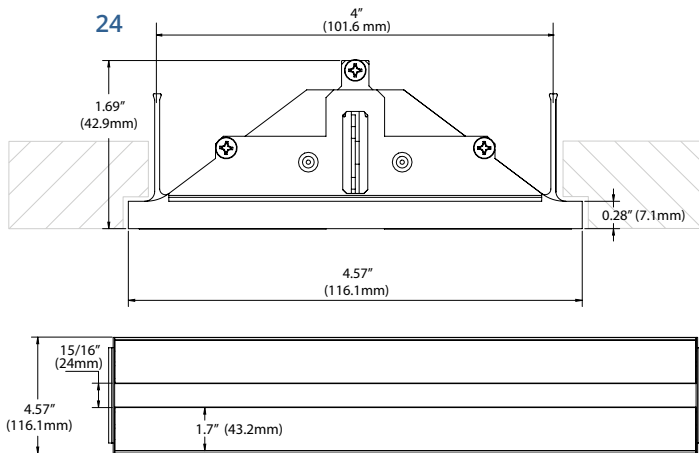
Light Output	Output (lm/ft)	Power (watts/ft)	Efficacy (lm/W)
LO = Low	453	4.6	98.5
MO = Medium	680	7.2	94.4
HO = High	908	9.4	96.6

\*Complete photometric info and IES files are available for download at [www.jlc-tech.com](http://www.jlc-tech.com)

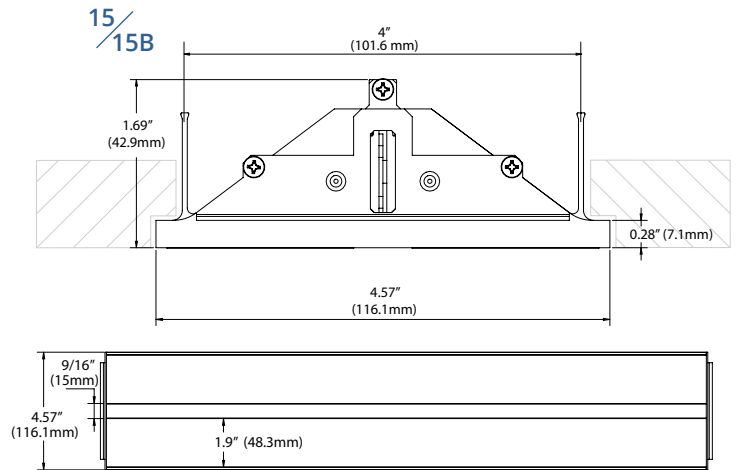
JLC-Tech LLC | Pembroke, MA - USA | [info@jlc-tech.com](mailto:info@jlc-tech.com) | [www.jlc-tech.com](http://www.jlc-tech.com)



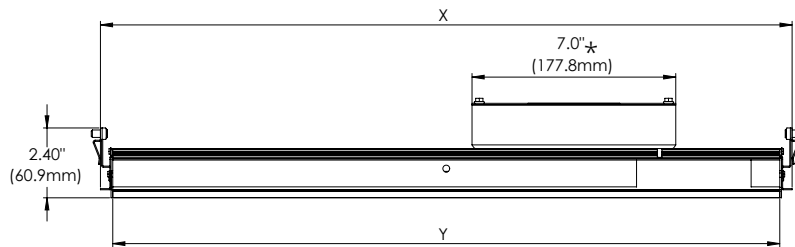
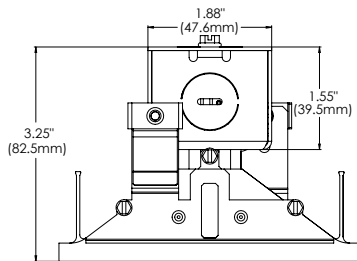
Dimensions (Compatible with Tegular and Lay-in tiles)



15/16" GEMINI Double Lens  
GEMD-XX-X-X-24-XX-X-W-UNV



9/16" GEMINI Double Lens  
GEMD-XX-X-X-15/15B-XX-X-W-UNV



\* Junction box length may be different for options other than standard universal input 0-10V dimming driver. For tunable white or other drivers/controls options, [refer to the controls guides on website for more information.](#)

Size	Grid Type	X	Y
2 = 2ft	15/15B = 9/16"	24"	23.4"
4 = 4ft	15/15B = 9/16"	48"	47.4"
5 = 5ft	15/15B = 9/16"	60"	59.4"

Size	Grid Type	X	Y
2 = 2ft	24 = 15/16"	24"	23"
4 = 4ft	24 = 15/16"	48"	47"
5 = 5ft	24 = 15/16"	60"	59"