

# GEMINI 2" | Order Specification Guide



Product Name	LED/K Color	Light Output	Grid Size	Grid Type	Optic	Mounting Clips	Color	Driver	Options
GEM2 = GEMINI 2" Single Lens	HW = 3000K	LO = Low	2 = 2 ft	24 = 15/16"	DW = Diffused White	U = Universal	W = White	UNV = 120-277 VAC 0-10V dimming	CP = Chicago Plenum
	MW = 3500K	MO = Medium	4 = 4 ft	15 = 9/16"	VC = Vista Comfort®	A = Armstrong	B = Black	DAL = 120-277 VAC DALI 2 dimming	IP = IP65
	MN = 4000K	HO = High	5 = 5 ft	15B = 9/16" Bolt Slot		W = Specialty Wood	C = Custom	DC = Acuity DC2DC 57V <sup>1</sup>	LA = Lutron Athena Wireless Node
	CN = 5000K		6 = 6 ft				347 = 347 VAC 0-10V dimming <sup>2</sup>	NW = nLight® Wired	
TU = 2700K-6500K		8 = 8 ft					POE = Power over Ethernet <sup>1</sup>	NA = nLight® Air <sup>1</sup>	
			Metric						Optional EM Battery Kit available (sold separately).
			M6 = 60 cm						
	90 CRI available, on request.	Custom lumen outputs available, consult factory.	M12 = 120 cm						

www.jlc-tech.com/patents

<sup>1</sup> Consult factory <sup>2</sup> Not available with tunable white

Single Lens Diffused White (DW)



Single Lens Vista Comfort (VC)



### NOTES:

GEMINI 2" is designed to provide a 2" linear slot light on-center to the grid, by replacing standard cross members in a suspended ceiling. Its integrated structural housing features a channel designed for our twist clip technology (twist clips provided), enabling secure connections for intersecting cross tees or main runners; without the need to build a custom opening in the grid ceiling.

### APPLICATIONS:

Executive, Medical, Health, Educational, Retail, Hotels, Airport, Hospitality and any open space areas that require a unique and elegant architectural lighting design.

### MOUNTING:

Universal mounting clips for easy installation with Armstrong 15/16" or 9/16" suspension systems or standard 15/16" or 9/16" T-bars of most manufacturers ceiling suspension systems. Compatible with tegular and lay-in tiles. Mounting Clips "W" for grille and plank specialty wood ceilings, consult factory for wood ceiling specific shop drawings details. [Refer to installation page on website.](#)

### MATERIALS & OPTICS:

Powder coated aluminum extruded body, steel mounting clips, and powder coated steel end caps. "DW" optic uses high efficiency frosted acrylic PMMA lens for even illumination, "VC" optic uses precision engineered PMMA prismatic lens with internal PET film layer providing diffuse glare free illumination to help design to UGR requirements.

### ELECTRIC:

Universal input voltage of 120-277VAC. Junction box installed on fixture with integral driver for connection to branch circuit and dimming system, (dimming to 1%). Fixture must be installed in accordance with local electrical codes.

[For EM Battery Kit order separately.](#)

For more information on integrated controls options, [refer to controls guide on website.](#)

### WARRANTY:

5 years

### LISTINGS:

ETL/cETLus CE RoHS. Indoor use only. IC Rated. IP 40.

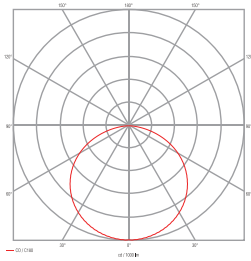
IP65 rated option

IP ratings are intended below finished ceiling



Photometrics CRI = >82

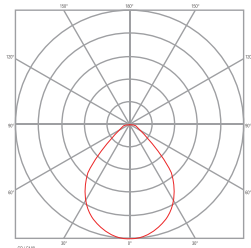
$L_{80} > 60K$  hrs



9/16" Diffused White Single Lens 4000K

Diffused White Single Lens

Light Output	Output (lm/ft)	Power (watts/ft)	Efficacy (lm/W)
LO = Low	522	4.1	127
MO = Medium	760	6.1	124.5
HO = High	1005	7.9	127



9/16" Vista Comfort® Single Lens 4000K

Vista Comfort Single Lens

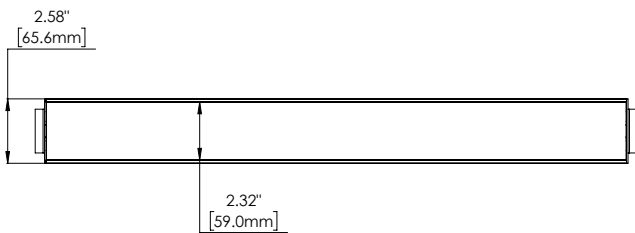
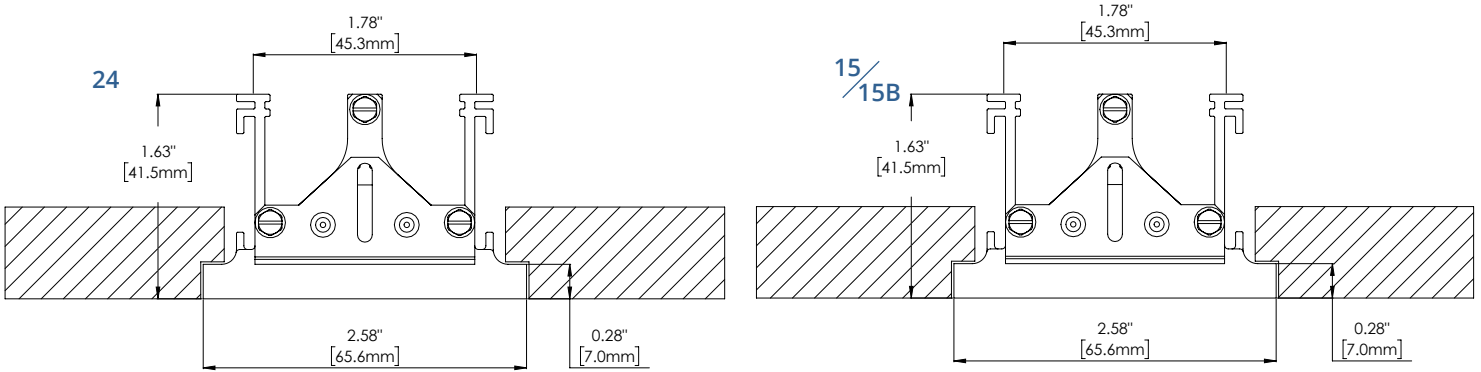
Light Output	Output (lm/ft)	Power (watts/ft)	Efficacy (lm/W)
LO = Low	527	4.1	128.5
MO = Medium	768	6.1	125.9
HO = High	1016	7.9	128.6

\*Complete photometric info and IES files are available for download at [www.jlc-tech.com](http://www.jlc-tech.com)

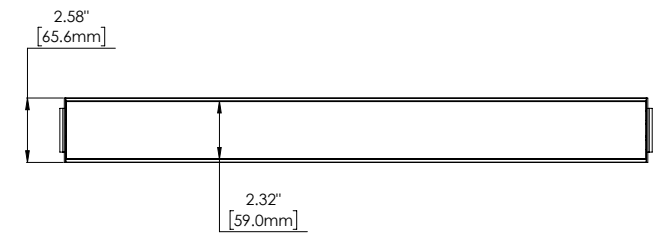
JLC-Tech LLC | Pembroke, MA - USA | [info@jlc-tech.com](mailto:info@jlc-tech.com) | [www.jlc-tech.com](http://www.jlc-tech.com)



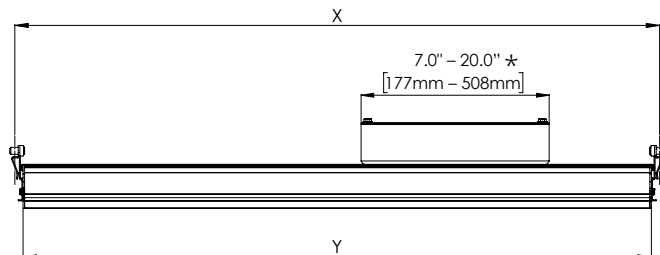
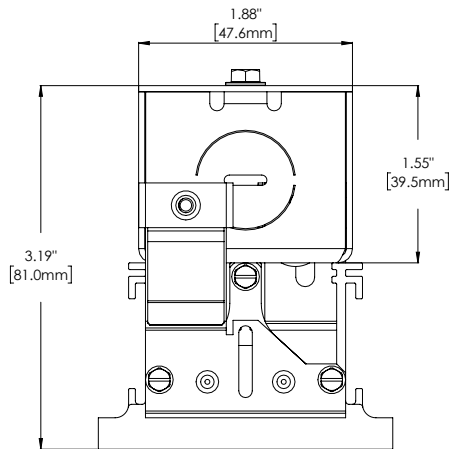
Dimensions (Compatible with Tegular and Lay-in tiles)



15/16" GEMINI Single Lens  
GEM2-XX-X-X-24-XX-X-W-UNV



9/16" GEMINI Single Lens  
GEM2-XX-X-X-15/15B-XX-X-W-UNV



\* Junction box length is 7" with most standard universal input 0-10V dimming options, and 20" for 6ft and 8ft product lengths. Junction box length may vary for tunable white or other driver/controls options, [refer to the controls guides on website for more information.](#)

Size	Grid Type	X	Y
2 = 2ft	15/15B = 9/16"	24"	23.4"
4 = 4ft	15/15B = 9/16"	48"	47.4"
5 = 5ft	15/15B = 9/16"	60"	59.4"
6 = 6ft	15/15B = 9/16"	72"	71.4"
8 = 8ft	15/15B = 9/16"	96"	95.4"

Size	Grid Type	X	Y
2 = 2ft	24 = 15/16"	24"	23"
4 = 4ft	24 = 15/16"	48"	47"
5 = 5ft	24 = 15/16"	60"	59"
6 = 6ft	24 = 15/16"	72"	71"
8 = 8ft	24 = 15/16"	96"	95"