

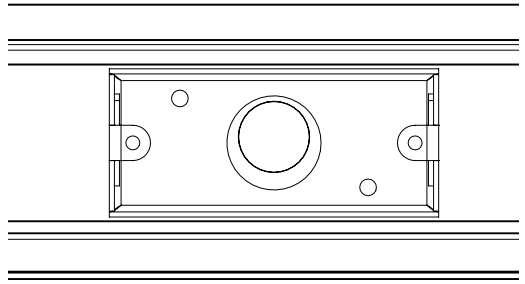
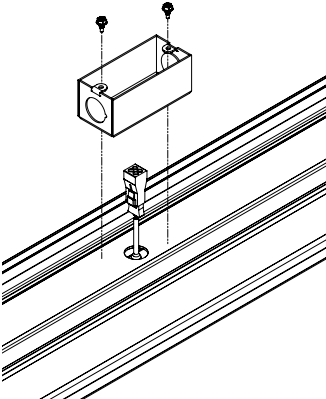
ATTENTION: READ ALL INSTRUCTIONS ENTIRELY BEFORE INSTALLATION

GIRO™ FOR CHICAGO PLENUM INSTALLATIONS



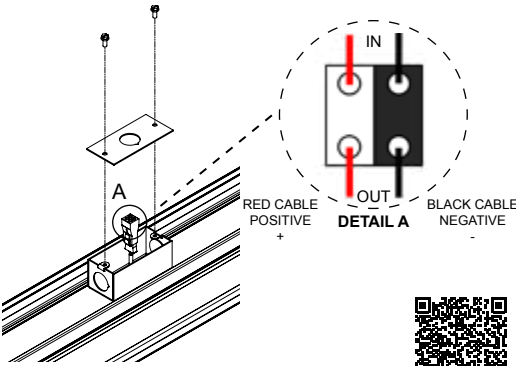
Remote power supply (sold separately) must be located inside an appropriate Chicago Plenum rated enclosure (by others), or installed in a non-Chicago Plenum rated area.

STEP 1: Mount the Chicago plenum junction box to the top of the housing above the hole being used to route the light module wire using (2) self-drilling screws (provided).

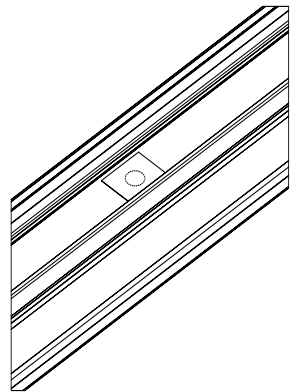


STEP 2: Remove a knockout for connection to appropriate Chicago Plenum rated conduit (by others). Make the necessary electrical connections inside the junction box and screw the cover on using (2) screws (provided).

STEP 3: Once light modules are installed, cover all remaining unused holes in the housing with foil tape (provided).



Reference GIRO Installation Instructions for more wiring detail



For patent information see www.jlc-tech.com/patents



CONFORMS TO CCEA-2000

4005225