

1. Specify Light Module

Product	LED/K Color	Length	Optic	End Configuration	Options
GIL = Giro Light Module	HW = 3000K MW = 3500K MN = 4000K HN = 4500K CN = 5000K  90 CRI available, on request.	#FT#IN = Linear Run (Feet and Inches)  Light module individual lengths will be determined by factory and indicated in shop drawings, refer to example layouts on page 5 for more information.	GZ = Graze AM = Ambient CG = Cove Glow	SS = 2 Straight Ends SI = Straight End & Internal Corner SE = Straight End & External Corner II = 2 Internal Corners EE = 2 External Corners IE = Internal & External Corner  Refer to End Configuration Examples on page 5 for more information.	IP = IP65

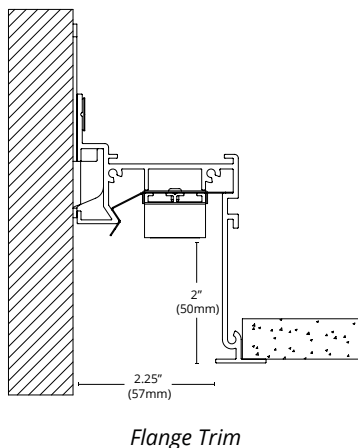
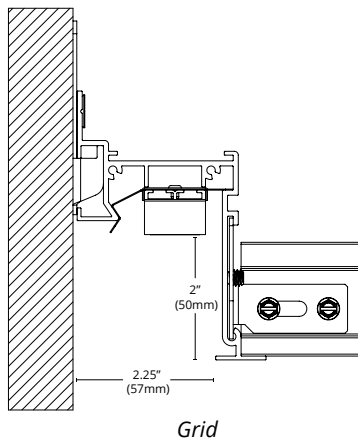
2. Specify Housing



Product	Length	Mounting	Color	Options
GIH = Giro Housing	#FT#IN = Linear Run (Feet and Inches)  Enter same linear run length as above light module run length. Housings will be provided as a combination of 4ft and 8ft segments as indicated on factory provided shop drawings.	G = Grid FL = Flange Trim	W = White B = Black C = Custom	

www.jlc-tech.com/patents

Example Specification Code: GIL-MW-8FT6IN-GZ-SS + GIH-8FT6IN-G-W



**NOTES:**

Giro housings are provided as 4ft and 8ft lengths and are field cut to length and should be installed during construction of the ceiling like typical perimeter molding. Giro light modules snap into place after construction of the ceiling and can be connected up to 12 linear feet per remote power supply (power supply sold separately, refer to website). Factory provided shop drawings will include run length information for housing and light modules, and full bill of materials for components and accessories.

**APPLICATIONS:**

Executive, Medical, Health, Educational, Retail, Hotels, Airport, Hospitality and any other areas requiring recessed perimeter lighting.

**MOUNTING:**

A wall mounting bracket and twist clip is provided for every two feet of housing, and a joiner bracket is provided for every individual housing section. End caps are provided as a set for straight end configurations. Extra accessories can be ordered separately.

**MATERIALS:**

**Housing:** Powder coated aluminum extruded body, powder coated steel end caps, galvanized steel joiners, twist clips, and mounting brackets.

**Light Module:** Painted aluminum extruded body, stainless steel mounting clips, PC end caps, acrylic PMMA lens

**ELECTRICAL/OPTICAL:**

Light modules are 24VDC low voltage input and 8W per foot (power supply consumption not included). Light modules are 0-10V dimmable to 1% with remote power supply (sold separately). Plenum rated input cables on each light module provided with quick connector to allow multiple modules to be easily connected together (max 12 feet of light module per power supply). Use solid copper wire or wire ferrules to fit into quick connectors. Battery Backup/Driver available, order separately.

**WARRANTY:**

5 years

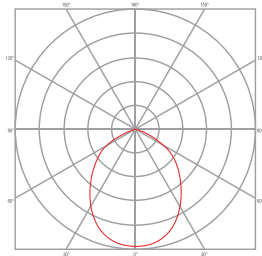
**LISTINGS:**

ETL/cETLus CE RoHS. Indoor use only.

IC Rated. IP 40

Photometrics CRI = >82

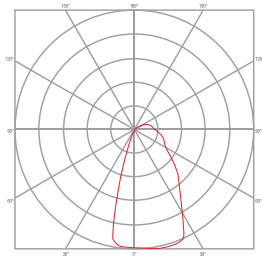
$L_{80} > 60K$  hrs



Graze Optic 4000K

GZ = Graze

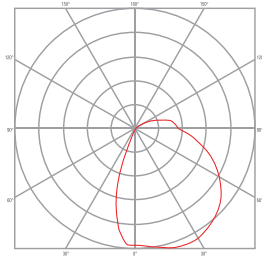
Output (lm/ft)	Power (watts/ft)	Efficacy (lm/W)
584	8	75



Ambient Optic 4000K

AM = Ambient

Output (lm/ft)	Power (watts/ft)	Efficacy (lm/W)
729	8	91



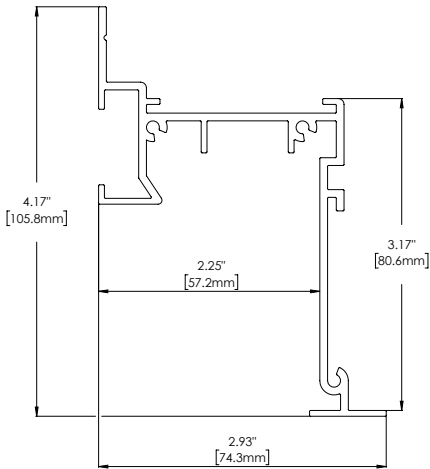
Cove Glow Optic 4000K

CG = Cove Glow

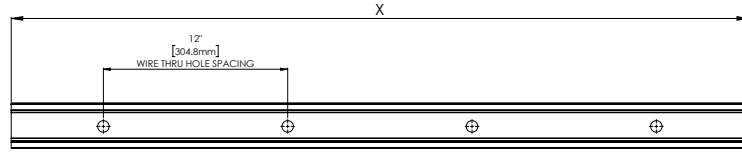
Output (lm/ft)	Power (watts/ft)	Efficacy (lm/W)
545	8	68

*\*Complete photometric info and IES files are available for download at [www.jlc-tech.com](http://www.jlc-tech.com)*

Dimensions for Housing

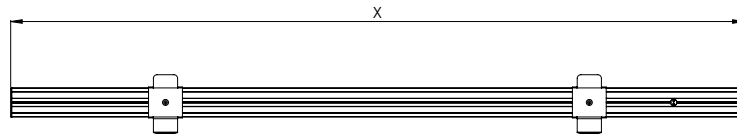
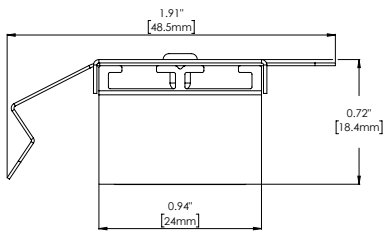


Grid/Flange Trim



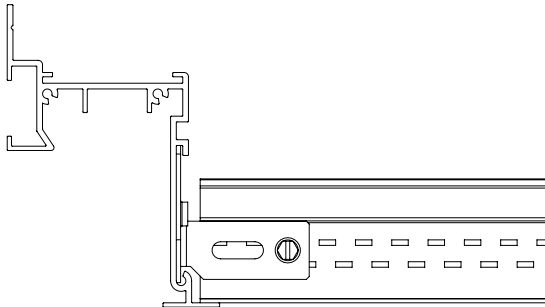
Length	X
4ft	48"
8ft	96"

Dimensions for Light Module

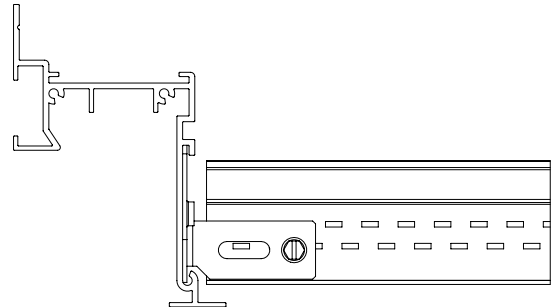


Length	X
2 = 2ft	22.9
4 = 4ft	46.9

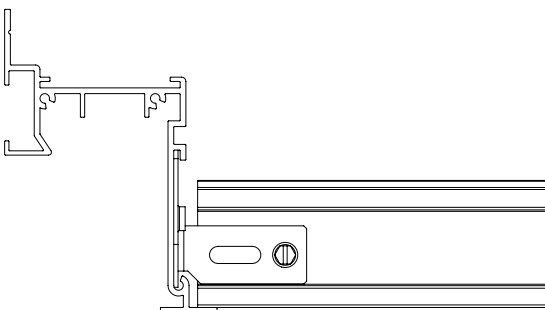
Installation Details



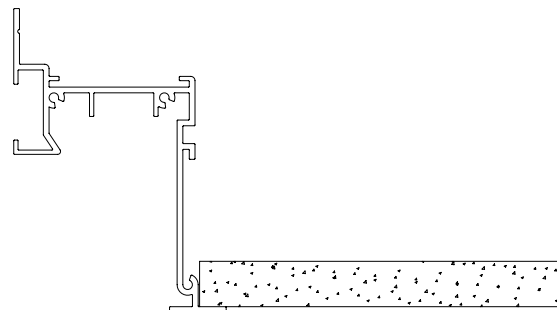
9/16" or 15/16" Flat Grid with Lay-in Tile



9/16" or 15/16" Flat Grid with Tegular Tile



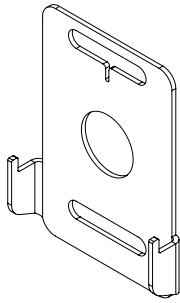
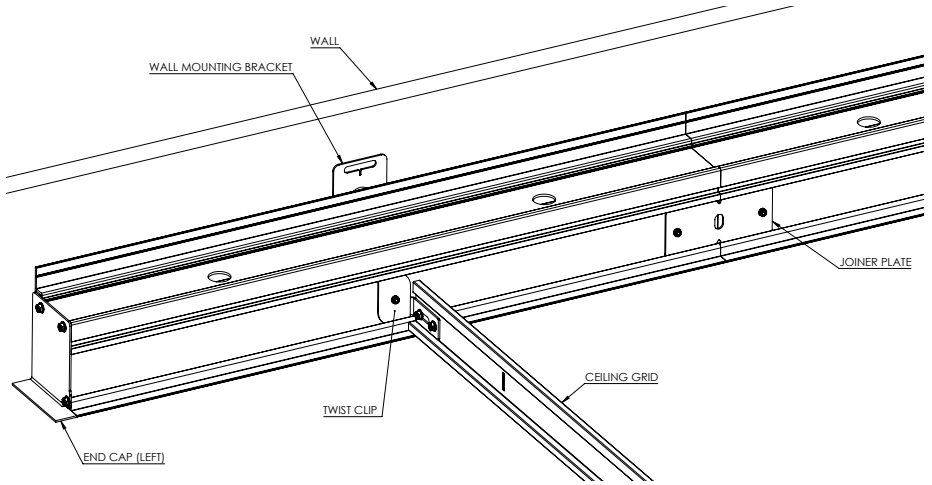
9/16" Dimensional Grid  
(Bolt Slot or Bull Nose)



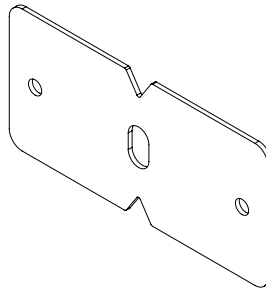
Gypsum Ceiling

### Accessories

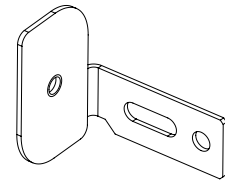
Giro housings are provided with a few simple brackets for seamless integration into ceiling systems. Housings are provided with a wall mounting bracket and twist clip for every 2 feet of run length. One joiner will be provided per housing length. End caps will be included as require for each run length. Factory provided shop drawings will include the bill of materials for each run length and the included brackets. Additional brackets can be ordered per the part numbers below.



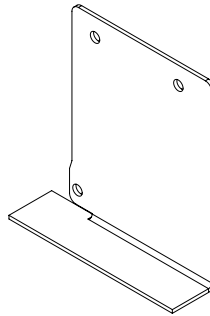
**ACC-GWMB – Wall Mounting Bracket**



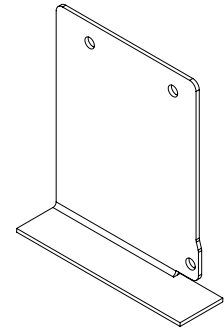
**ACC-GJP – Joiner Plate**  
(Joiner plates are field bent as required for housing corners.)



**ACC-GTC – Giro Twist Clip**



**GLECG – Left End Cap – Grid/Flange**



**GRECG –Right End Cap – Grid/Flange**

To order extra housing:

**GIH-8FT-X-X for 8ft Housing**

**GIH-4FT-X-X for 4ft Housing**

*Select mounting type and color as required.*

## How to Specify End Configuration

**SS** = When a linear run terminates on both ends without continuing onto another run

**SI** = When a linear run continues onto another run on an inside corner on one end, and the other end stops

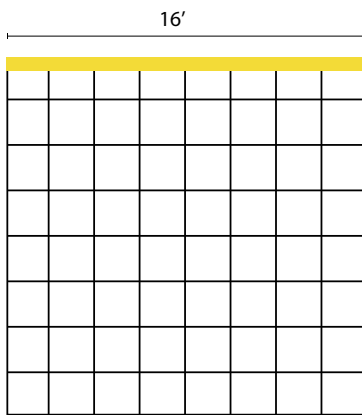
**SE** = When a linear run continues onto another run on an external corner on one end, and the other end stops

**II** = When a linear run continues onto two other runs through an inside corner on each end

**EE** = When a linear run continues onto two other runs through an external corner on each end

**IE** = When a linear run continues onto two other runs through an inside corner on one end and external corner on the other end

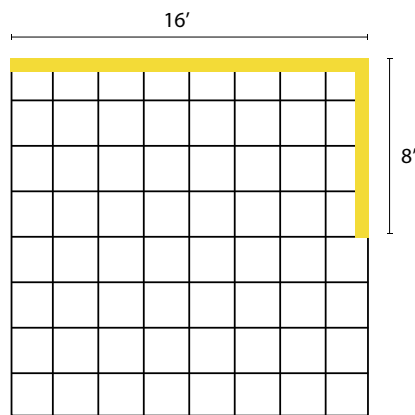
## Layout Examples



**Specification Code:**  
 (1) GIL-MW-16FT-AM-SS + GIH-16FT-G-W

**Provided Bill of Materials:**

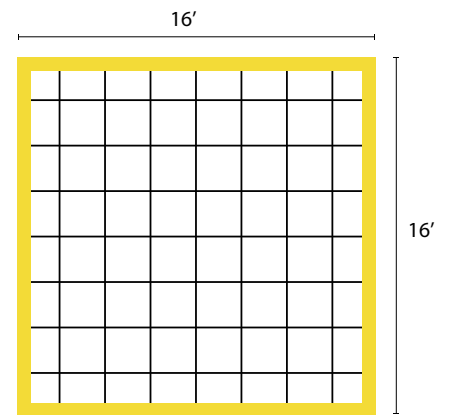
- (2) 8ft Housing
- (8) Wall Mounting Brackets
- (8) Twist Clips
- (2) Joiners
- (1) Set of End Caps
- (4) 4ft Light Modules



**Specification Code:**  
 (1) GIL-MW-16FT-AM-SI + GIH-16FT-G-W  
 (1) GIL-MW-8FT-AM-SI + GIH-8FT-G-W

**Provided Bill of Materials:**

- (3) 8ft Housing
- (12) Wall Mounting Brackets
- (12) Twist Clips
- (2) Joiners
- (1) Set of End Caps
- (6) 4ft Light Modules



**Specification code:**  
 (4) GIL-MW-16FT-AM-II + GIH-16FT-G-W

**Provided Bill of Materials:**

- (8) 8ft Housings
- (32) Wall Mounting Brackets
- (32) Twist Clips
- (8) Joiners
- (16) 4ft Light Modules